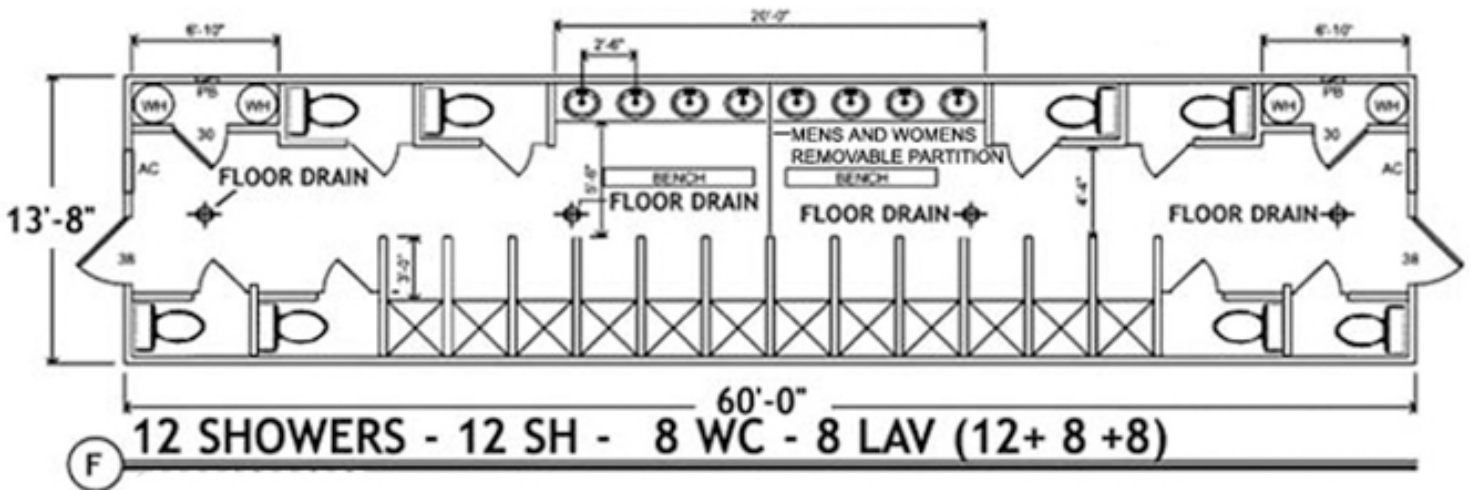


# Morgan 14'x60' Portable Shower & Bath Building



**Morgan Building Systems**  
 PO BOX 660280 Dallas, Texas 75266  
 972-864-7300 (main) 972-864-7321 (fax)  
[www.morganbuildingsystems.com](http://www.morganbuildingsystems.com)

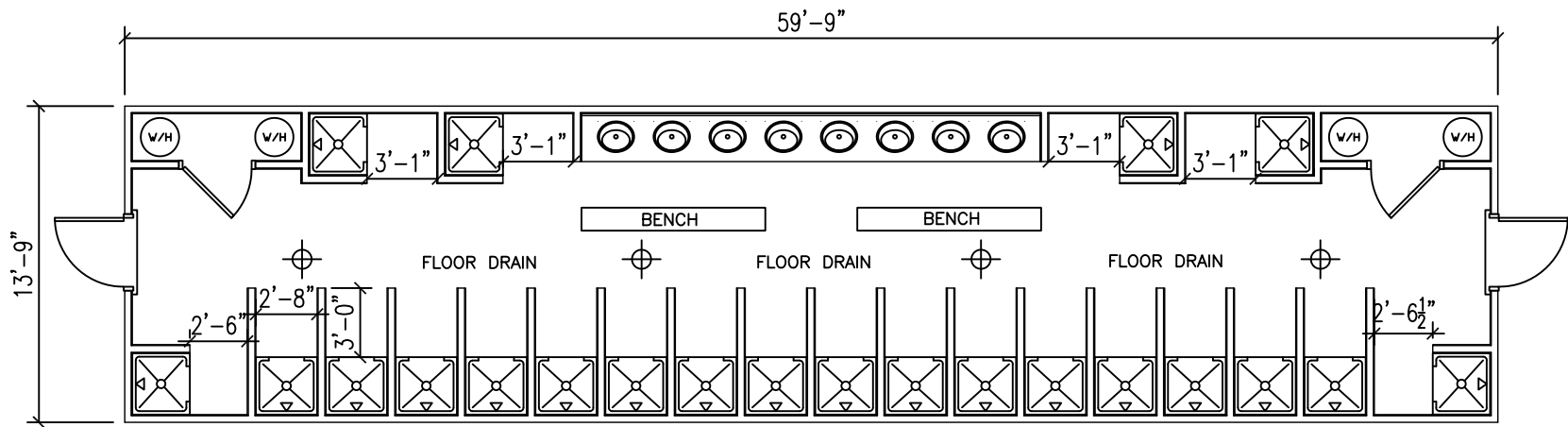
**12 Shower Stalls    4 80gal Water Heaters**  
**8 WC Stalls        2 A/C Units**  
**8 Lav Sinks        Dividable Men's & Women's**  
**For 24 Hour Emergency Service Call:**

**Guy Morgan**  
 President  
 972-864-7300 (office)  
 214-697-3535 (cell)  
[gmorgan@morganusa.com](mailto:gmorgan@morganusa.com)

**Cody Morgan**  
 Commercial Sales  
 972-864-7300 x7338 (office)  
 214-213-2691 (cell)  
[cmorgan@morganusa.com](mailto:cmorgan@morganusa.com)

# Additional Showers and Restrooms

D



D 22 SHOWERS - 22SH - 8LAV (22+0+8)  
SCALE: 1/8"=1'-0"

- (22) SHOWERS
- (8) LAVY
- (4) 80 GALLON W.H/PAN 27000kw
- (2) 38x76 DOORS
- (2) 1.5 TON HEAT AND UNITS
- (4) GROUND FAULT BREAKERS
- (2) 84"x10" BENCHES
- FMP SHOWER WALLS
- (44) SHOWER CURTAINS

**Cody Morgan**  
Commercial Sales  
972-864-7300 x7338 (office)  
214-213-2691 (cell)  
972-864-7321 (fax)  
cmorgan@morganusa.com

Guy Morgan  
President  
972-864-7300 (Office)  
214-697-3535 (Cell)  
gmorgan@morganusa.com



Morgan Building Systems - 2800 McCree Road, Garland, Texas 75041  
972-864-7300 (switchboard) 972-864-7321 (fax)  
[www.morganbuildingsystems.com](http://www.morganbuildingsystems.com)